

15¢

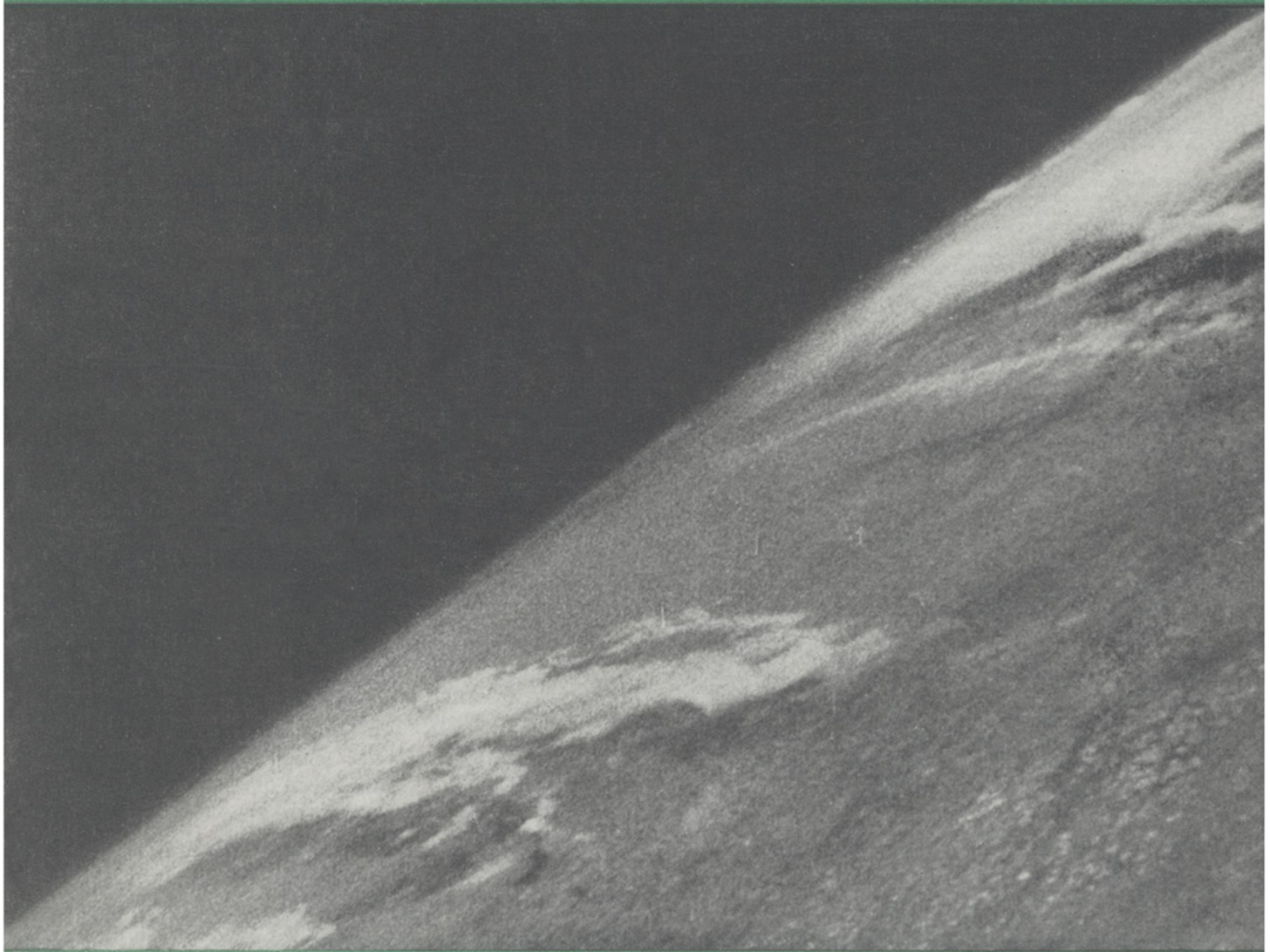


SCIENCE NEWS LETTER



Vol. 50, No. 22

THE WEEKLY SUMMARY OF CURRENT SCIENCE • NOVEMBER 30, 1946



Down to Earth

See Page 343

A SCIENCE SERVICE PUBLICATION

1921

TWENTY-FIFTH ANNIVERSARY

1946

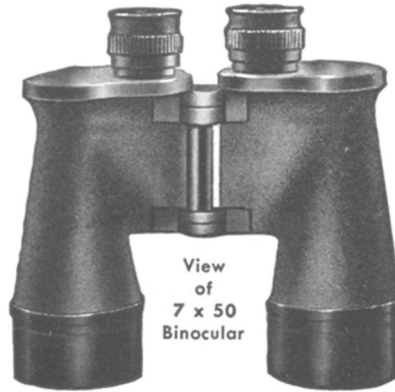
WAR BARGAINS in LENSES and PRISMS

MAKE YOUR OWN BINOCULARS!

ATTENTION!

Coming About January 30th!!
Complete Optics & Metal
Parts for Army's 7 x 50
Binoculars and Army's
6 x 30 Binoculars

A rare opportunity to pick up a really fine expensive, precision set of Binoculars, either the 7 x 50 or 6 x 30, at under 1/2 their normal retail cost. We will furnish complete assembly instructions. Send your name and address, and request Bulletin #14-Q which will give you complete details of this offer the moment it is ready.



All items Finely Ground and Polished, some Edges Slightly Chipped or Other Slight Imperfections Which We Guarantee Will Not Interfere with Their Use. Come Neatly Packed and Marked. Excellent for Xmas Gifts.
TO KEEP POSTED on all our new Optical Items, send 10c and your name and address to get on our regular "Flash" mailing list.

GIANT SIZE RED AND AMBER FILTERS

Filter material is cemented between glass. All 3/8" thick.

Stock #	Color	Diam.	Price
706-Q	Red	7-7/8"	\$2.00
707-Q	Red	5-7/8"	1.50
708-Q	Amber	7-7/8"	1.50
709-Q	Amber	5-7/8"	1.00

USES: For large camera filters, for large size spotlights, for darkroom lights (spectroscopically tested), for interior decorating, for display tray in home or store.

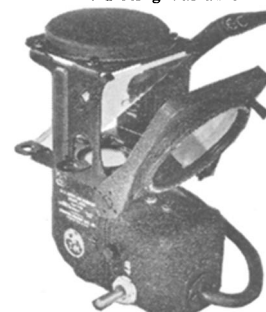
35 MM KODACHROME PROJECTING LENS SET—Consists of 2 Achromatic Lenses for projecting, plus 2 Condensing Lenses and a piece of Heat Absorbing Glass with directions.
Stock # 4029-Q ----- \$3.10 Postpaid

35 MM KODACHROME PROJECTING LENS SET—Consists of Achromatic Lens for projecting, plus a Condensing Lens and a piece of Heat Absorbing Glass with directions.
Stock # 4025-Q ----- \$1.95 Postpaid

2 1/2" DIA. ACHROMATIC TELESCOPE OBJECTIVE—F.L. 20 inches. (Not a war surplus item). The Govt. used very few long focus Objective Lenses so we had these made for you. First class lens suitable for Spotting Scopes, Terrestrial Telescopes, etc. Not coated.
Stock # 6197-Q ----- \$10 Postpaid

AIR FORCES GUN SIGHT

With Polarizing Variable Density Attachment



Can be used as Slide Viewer, or take it apart and you can get polarizing variable Density Attachment, Mangin Concave Mirror, Reflector Plate, Metal Reticle, Window, Lamp Housing, Ring and Bead Sight. The Polarizing attachment alone is worth many times the price of entire unit. Consists of 2 Polarizing Filters

mounted with small handle which rotates one around the other. May be used in Photography, Research, Experiments, as Light Dimmer, etc.
Stock # 908-Q ----- \$5.00 Postpaid
Same Unit Without Polarizing Attachment
Stock # 916-Q ----- \$2.50 Postpaid

BOMBER SIGHTING STATION—A double end Periscope Type Instrument of highest precision. 6 ft. tall, shipping wt. 360 lbs. Orig. cost \$9,850. Consists of numerous Lenses, Prisms, Mirrors, Gears, Motors, Metal Parts and Electrical Gadgets.
Stock # 914-Q ----- \$50 F.O.B. Oklahoma

PRISM TELESCOPE—All the Lenses You Need to build your own 20 power Telescope! No mounts. Has wide field of view.
Stock # 5012-Q ----- \$7.25 Postpaid

TANK PRISMS—PLAIN OR SILVERED

90-45-45 deg. 5 3/4" long, 2 1/4" wide, finely ground and polished

Stock No.	Item	Price
3004-Q	Silvered Prism (Perfect)	\$2.00 Postpaid
3005-Q	Plain Prism (Perfect)	\$2.00 Postpaid
3100-Q	Silvered Prism (Second)	\$1.00 Postpaid
3101-Q	Plain Prism (Second)	\$1.00 Postpaid

(Illustrated Book on Prisms included FREE)

CARRYING CASE WITH STRAPS FOR 7 x 50 BINOCULARS—Modern synthetic rubber construction—brand new—a regular \$12.00 value.
Stock # 44-Q (Price includes tax)—\$4.80 Postpaid

SPECIALS IN LENS SETS

Set #1-Q—"Our Advertising Special"—15 lenses for \$1.60 Postpaid, plus 10-page idea booklet. For copying, ULTRA CLOSE-UP SHOTS, macrophotography, experimental optics, magnifying and for making a two power f/16 Telephoto Lens, "Dummy Camera," Kodachrome Viewer, DETACHABLE REFLEX VIEWFINDER for 35 mm. cameras, stereoscopic viewer, ground glass and enlarging focusing aids, TELESCOPES, low power Microscopes and for many other uses.

NEW 50-PAGE IDEA BOOK "FUN WITH CHIPPED EDGE LENSES"

Contains wide variety of projects and fully covers the fascinating uses of all Lenses in set listed above . . . only \$1.00 Postpaid.

SPECTROSCOPE SETS . . . These sets contain all Lenses and Prisms you need to make a Spectroscope plus FREE 15-page instruction Booklet.

Stock #1500-Q	Hand Type Spectro-scope	\$3.45 Postpaid
Stock #1501-Q	Laboratory Type Spectro-scope	\$6.50 Postpaid

POLARIZING VARIABLE DENSITY ATTACHMENT FOR 7 x 50 BINOCULARS—An amazingly effective unit for controlling amount of light reaching your eyes. Cuts down glare in sky and overwater observations. Easily snapped on and off over the eye cups of American-made 7 x 50 Binoculars. Govt. cost, \$8.30 each.

Stock # 20,000-Q ----- \$2.00 Postpaid

ACHROMATIC TELESCOPE OBJECTIVE LENSES—Cemented—Diam. 52 mm., F.L. 8 1/2 inches. Slight seconds.

Stock # 6188-Q ----- \$3.50 Postpaid

RIGHT ANGLE PRISM—Flint Optical Glass, size 41 mm. by 91 mm. by 64 mm. Use in front of camera Lens to take pictures to right or left while pointing camera straight ahead. Also used in front of camera Lens to reverse image in direct positive work. Two of these Prisms will make an erecting system for a Telescope.

Stock # 3076-Q ----- \$3.00 Postpaid

WE HAVE LITERALLY MILLIONS OF WAR SURPLUS LENSES AND PRISMS FOR SALE AT BARGAIN PRICES. WRITE FOR CATALOG "Q"—SENT FREE!

RAW OPTICAL GLASS—An exceptional opportunity to secure a large variety of optical pieces, both Crown and Flint glass (seconds) in varying stages of processing. Many prism blanks.

Stock # 703-Q 8 lbs. (Minimum weight) ----- \$5.00 Postpaid

Stock # 702-Q 1 1/2 lbs. ----- \$1.00 Postpaid

MAGNIFIER SET—5 magnifying Lenses—Powers from 1 to 10.

Stock # 1026-Q ----- \$2.00 Postpaid

RETICLE SET—5 assorted, engraved reticles from U. S. Gunsights.

Stock # 2035-Q ----- \$1.00 Postpaid

ACHROMATIC LENSES

Stock No.	Dia. in mms.	F.L. in mms.	Price
6158-Q	18	80	\$1.00
6162-Q	25	122	1.25
6164-Q*	26	104	.80
6168-Q	29	76	1.25
6171-Q	32	171	1.00
6173-Q*	34	65	1.00
6176-Q*	38	131	1.00
6177-Q*	39	63	1.10
6178-Q*	45	189	1.50
6179-Q*	46	78	1.25
6182-Q	27	51	1.25
6183-Q	44	189	2.50

* ASTERISKED ITEMS are uncemented, but FREE cement and Directions included with uncemented sets.

USES—Use these Lenses for making Projecting Lenses, Low Power Microscope Objectives, corrected Magnifiers, substitute enlarging Lenses, Eye-Piece Lenses, Macrophotography, Gadgets, Optical Instruments, etc., etc.

MISCELLANEOUS ITEMS

Stock No.	Item	Price
3006-Q	Porro Abbe Prism	\$0.25 each
2024-Q	10 Pieces Circular A-1 Plate Glass (Dia. 31 mm.—for making filter)	.25
3021-Q	Amici Roof Prism (3rd grade)	.25 each
523-Q	Six Threaded Metal Reticle Cells	.25
624-Q	Neutral Ray Filter size 4 3/4" x 2 1/2"	.25
3022-Q	Round Wedge 65 mm. dia. 16-Q	5.00 each
16-Q	Level Vial, 48 mm. long	.20 each
1040-Q	6 Power Magnifier—diam. 25 mm.	.25 each
2036-Q	Standard Crossline Reticle—dia. 29 mm.	.50 each
1034-Q	Burning Glass Lens	.25 each
535-Q	Small First Surface Mirror	.30
3003-Q	Amici Roof Prism with Corrected Roof	2.50
633-Q	2 Combination Polarizing and Infra-Red Filters, diam. 20 mm.	.50

(Minimum Order on Above—\$1.00)

NEW PROJECT BOOK—HOMEBUILT RIFLE-SCOPES—30c Postpaid. List of available Riflescope Lenses sent FREE with book.

PRISMS

Stock No.	Type	Base Width	Base Length	Price
3040-Q	Right Angle	33 mms.	23 mms.	\$ 1.25
3053-Q	Right Angle	70 mms.	168 mms.	3.00
3001-Q	Lens Surface	20 mms.	14 mms.	2.00
3006-Q	Porro-Abbe	9 mms.	9 mms.	.25
3009-Q	Porro	52 mms.	25 mms.	1.00
3029-Q	Dove	16 mms.	65 mms.	1.25
3036-Q	80 Degree Roof	60 mms.	36 mms.	4.00
3038-Q	Roof Prism	18 mms.	34 mms.	2.50

ORDER BY SET OR STOCK NO.

SATISFACTION GUARANTEED

IMMEDIATE DELIVERY

EDMUND SALVAGE COMPANY, P. O. Audubon, New Jersey

SOLVE your annual gift-selecting problem by choosing worth-while educational scientific gifts from our carefully compiled list below.

SCIENTIFIC CHRISTMAS GIFTS

IDEAL—UNIQUE—FOR EVERYONE

In this scientific age, you can count on such gifts being gratefully appreciated by all, both young and old. The response to our Christmas advertisement last year has encouraged us to offer an even more extensive list this year.

Order at once! Avoid holiday rush and insure delivery on time.



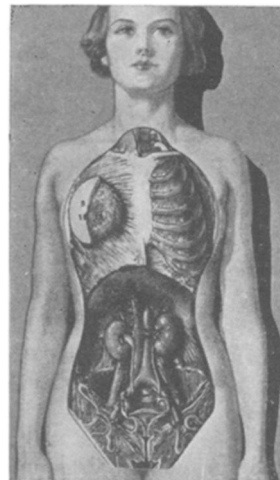
No. 17



No. 1-2



No. 8-9-10



No. 40-41

MICROSCOPY

1. Microscope, Bausch and Lomb. 440-power. Standard laboratory type. A royal gift. \$141.00
2. Microscope, Spencer. Lighter type. Excellent instrument. 112.00
3. Microscope, Federal. 300-power. Achromatic lenses. 59.00
4. Bio-Set. Accessories for making microscope slides (not including microscope) with manual, in polished-wood box. 5.00
5. Parstains. Set of 10 stains. 1.50
6. Stand Magnifier. 2½" lens, adjustable any angle. 3.50
7. Scalpel, Bard Parker. Metal holder, 6 removable blades. 2.00

COLLECTING OUTFITS

Complete with book of directions

8. Bio-Kit I—Insect Collecting Outfit. 9.75
9. Bio-Kit II—Plant Collecting Outfit. 9.75
10. Bio-Kit III—Combination Insect, Animal, and Plant Collecting Outfit. 14.50

INSECT PREPARATIONS

11. Live Moth Cocoons. Set of 12 mixed species, with directions for care. 3.00
12. Insect Life-Histories. Various species, beautifully prepared in exhibition cases. Each. 5.00
13. Insect Collection. Thirty identified pinned insects. 3.75
14. Urania Mount. "World's most beautiful butterfly", encased in Plexiglass and mounted on plastic stand. Crystal clear, ornamental. 6.75

AQUARIUM ACCESSORIES

15. Ornamental Aquarium. Thermoplastic. 2 quart size, pair making unique book ends. Exclusive and attractive, each. 10.75
16. Aquarium Pump. Very efficient. 12.50
17. Thermostatic Heater. Up to 75 w., with plastic lamp. 5.50

Following aquarium items are thermoplastic:

18. Power Dip Tube and Water Filter. 6.00
19. Breeding Trap. Pontooned. 5.50
20. Brine Shrimp Separator. 3 qt. capacity. 5.25
21. Feed Ring. For live and dry foods. 1.00
22. Air Filter. 1.50

ROCKS AND MINERALS

Collections in compartment boxes

23. Set—12 Igneous Rocks. 1.50
24. Set—Metamorphic Rocks. 1.50
25. Set—12 Sedimentary Rocks. 1.50
26. Set—12 Soil Formation Specimens. 1.50
27. Set—7 Fluorescent Minerals. Including Argon lamp. Gorgeous irridescent colors. 7.75
28. Set—50 Rocks and minerals. Economic value. Including gold, silver ore, descriptive booklet. 5.75
29. Set—9 Scale of Hardness Specimens. 1.50

FOSSILS

30. Set—24 Fossils. Animal Kingdom, descriptive key. 8.50
31. Set—12 Plant Fossils, Leaves, Stems, Seeds, etc. 8.50
32. Trilobite. Perfect specimen. 1.50
33. Fossil Fish. 3" to 5". 8.00
34. Fossil Fern Leaf. 40 million years old. 2.50
35. Fossil Fern Set. 6 specimens. 10.00
36. Concretions. Exciting to split open, exposing valuable specimens millions of years old. Set of six. 5.00

CORALS

Beautiful specimens, world-wide in origin

37. Set—10 small corals. 6.00
38. Set—10 large corals. 10.00
39. Brain coral, 8"-10". 10.00

BODYSCOPE

Knowing your body tends to make you conscious of health conservation. An ingenious device for viewing human body structure at the turn of a dial. 80 colored plates, 20,000 words of description. Indispensable for home, school, hospital and doctor's office.

40. Standard Bodyscope. 8.50

HUMAN MODEL

41. Trunk. Ventrally dissected, fully colored, 1/3 nat. size, descriptive key. 9.50

COMMERCIAL WOODS

42. Set of 47 labeled panels. 20.00

SOIL TESTKIT

43. Complete, with 56-page "Handbook". 2.50

SCIENTIFIC BOOKS

44. Henley. Chemical Formulas, Processes and Trade Secrets. 4.00
45. Smyth. Atomic Energy. Official report. 2.00
46. Hackh-Grant. Chemical Dictionary. 8.50
47. Davis. Vitality thru Planned Nutrition. 2.75
48. Popenoe & Johnson. Applied Eugenics. 3.50
49. Diehl. Healthful Living. 3.00
50. Tietz & Weichert. Art and Science of Marriage. 2.75
51. Williams. Atlas of Human Anatomy. 2.50
52. Innes. Modern Aquarium. 1.25
53. Innes. Exotic Aquarium Fishes. 6.50
54. Allen. The Microscope. 3.00
55. Jaques. How to Know the Mosses. 1.75
56. Jaques. How to Know the Insects. 1.75
57. Jaques. How to Know the Trees. 1.75
58. Jaques. How to Know the Spring Flowers. 1.75
59. Loomis. Rocks & Minerals. 3.75
60. Thomson. Whipple for Everyman (2 vol.). 5.00
61. Ward & Whipple. Fresh-Water Biology. 8.00
62. Saunders. Nature Guide. 1.50
63. Lutz. Field Book of Insects. 3.75
64. Ditmars. Snakes of the World. 2.95
65. Peterson. Bird Guide. 2.75
66. Guyer. Animal Micrology. 3.25
67. Needham. Culture Methods for Invertebrate Animals. 4.25
68. Webb. Handbook of Shell Collectors. 2.75
69. NYSSCo. Intro. to Slide Making. .60

CATALOG

70. Catalog-Price List, 32-page. .10



NEW YORK SCIENTIFIC SUPPLY CO.
28 W. 30th St., New York 1, N. Y.

ORDER FORM

Gentlemen:

Date: _____

Enclosed please find \$ _____, for which please send to the address below, the following encircled number(s).

1	2	3	4	5	6	7	8	9	10	11	12	13	14
15	16	17	18	19	20	21	22	23	24	25	26	27	28
29	30	31	32	33	34	35	36	37	38	39	40	41	42
43	44	45	46	47	48	49	50	51	52	53	54	55	56
57	58	59	60	61	62	63	64	65	66	67	68	69	70

Signature _____

Address _____